

RGBWW

CENTINEL v4

5W

MR16



RoHS Compliant CE FC Bluetooth®

MR16 5W LED :

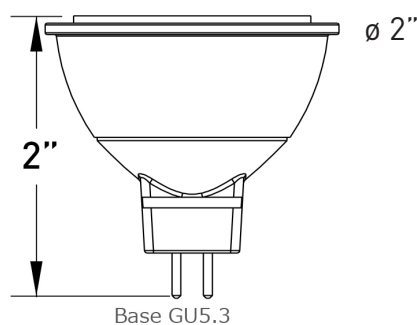
IFX's CENTINEL Bluetooth controlled RGB and color temperature adjustable LED MR16 is an innovative LED product for many lighting applications. Use the free Bluetooth enabled Smartphone or tablet APP to control 1 or more MR16 lamps. You can select colors, color temp between 2700 and 6500K. You can also dim your lights and create schedules for automatic lighting control.

- iOS (10.0 and above) and Android (4.4.4 and above) compatible
- Works on a Bluetooth MESH network

SPECIFICATIONS

Type	MR16	
Wattage	5W	
Voltage	MR16 - 12V AC/DC	
Color Temp	RGB and 2700-6500K	
Base	GU5.3	
Power Factor	0.7	
Lumens	2700K (WW)	375 lm
	6500K (CW)	381 lm
Lightwave	Red	600 nm
	Green	553 nm
	Blue	468 nm
Beam Angle	40°	
Operating Temp	-4°F-104°F	
Life	30,000 Hours	
Dimmable	Yes - Via smartphone/tablet APP	
Environment	Suitable for damp locations	
Certifications	ErP, RoHS, CE, REACH, LVD	
Warranty	3 years	

DIMENSIONS



ORDERING GUIDE

example product code: MR16/5/N57/FL40/RGB2765

LIGHT SOURCE	WATTAGE	LED	BEAM SPREAD	COLOR TEMP
MR16	5	N57	FL40	RGB2765

Download APP

Scan the QR Code
Download APP



Search : BLTC BT-Light

Search : BLTC BT-Light