



MR16

CENTINELv4

3/5/8W

MR16

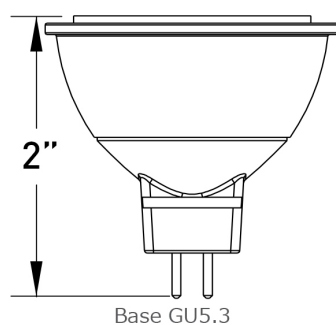


MR16 3/5/8W LED :

IFX's CENTINEL high powered MR16 series guarantee outstanding efficiency and quality. These qualities make our products ideal for general business and decorative lighting purpose, including shop Lighting, Hotel lighting, Commercial and Residential Applications. You can simply install it within the showcase of the boutique, and for any display. Also, the Centinel MR16 series can easily and smartly help you lessen energy consumption up to 90%. It will enhance your business and residential application and help the environment flourish.

- Not for wet environments
- 5W and 8W lamps are DIMMABLE

DIMENSIONS



SPECIFICATIONS

Type	MR16		
Wattage	3W / 5W / 8W		
Voltage	MR16 – 12V AC/DC		
Color Temp	2700K / 3000K / 5000K / 5700K		
Base	GU5.3		
Power Factor	0.6 / 0.9		
Lumens	5700K (TW)	3W	~354 lm
		5W	~479 lm
		8W	~803 lm
	5000K (NW)	3W	~326 lm
		5W	~438 lm
		8W	~736 lm
	2700K (WW)	3W	~272 lm
		5W	~375 lm
		8W	~650lm
Beam Angle	20° / 40° / 60° / 100°		
Operating Temp	-4°F-104°F		
Life	30,000 Hours		
Dimmable	3W – No		
	5W / 8W – Yes		
Environment	Suitable for damp locations		
Certifications	ErP, RoHS, CE, REACH, LVD, TÜV, EMC, UL		
Warranty	3 years		

ORDERING GUIDE

example product code: MR16/5/N57/FL60/827

LIGHT SOURCE	WATTAGE	LED	BEAM SPREAD	CRI	COLOR TEMP
MR16	5	N57	FL60	8	27
	3-3W		SP20-20° Spot		57-5700K
	5-5W		FL40-40° Flood		50-5000K
	8-7W		FL60-60° Flood		27-2700K
			FL100-100° Flood		